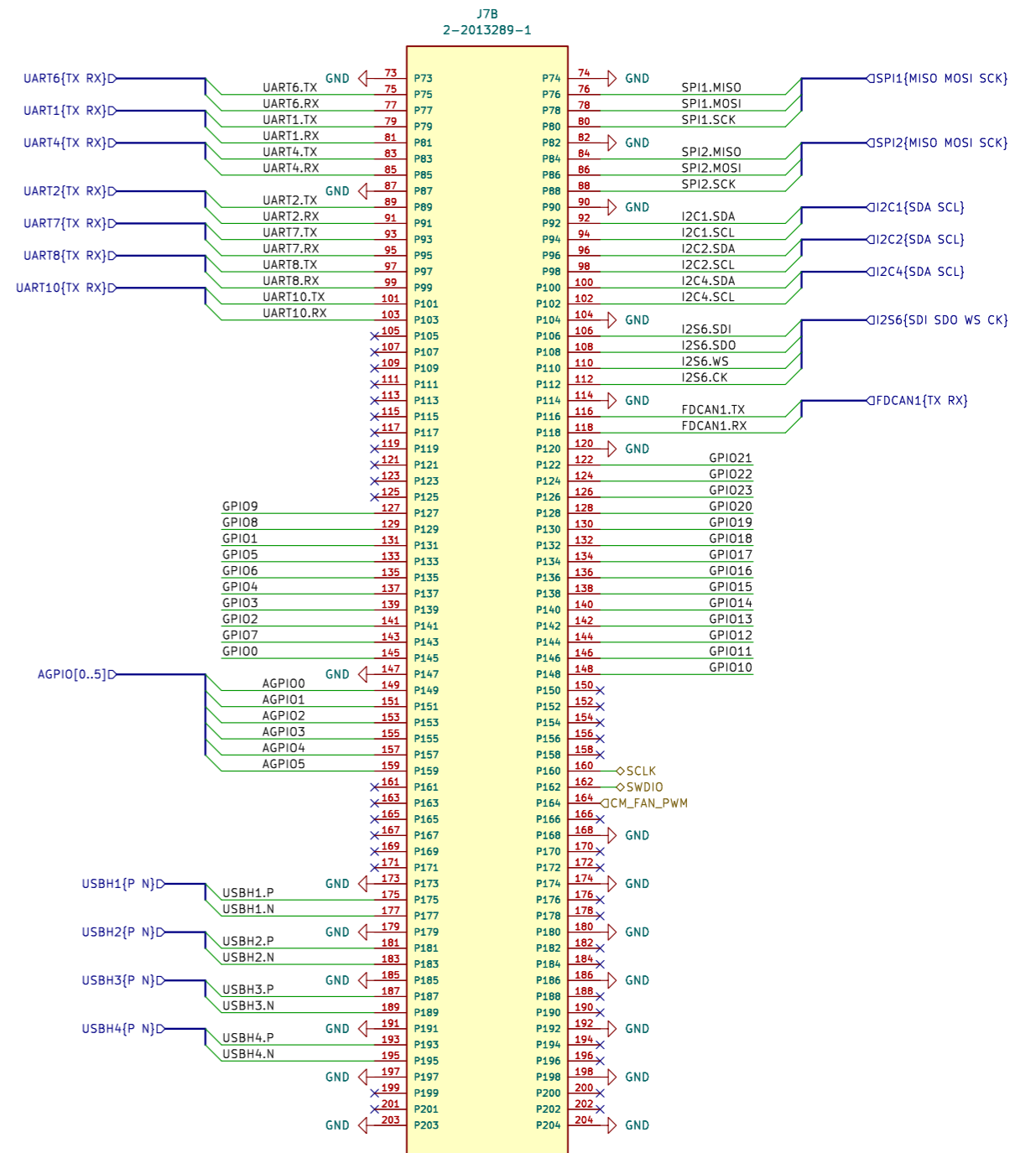
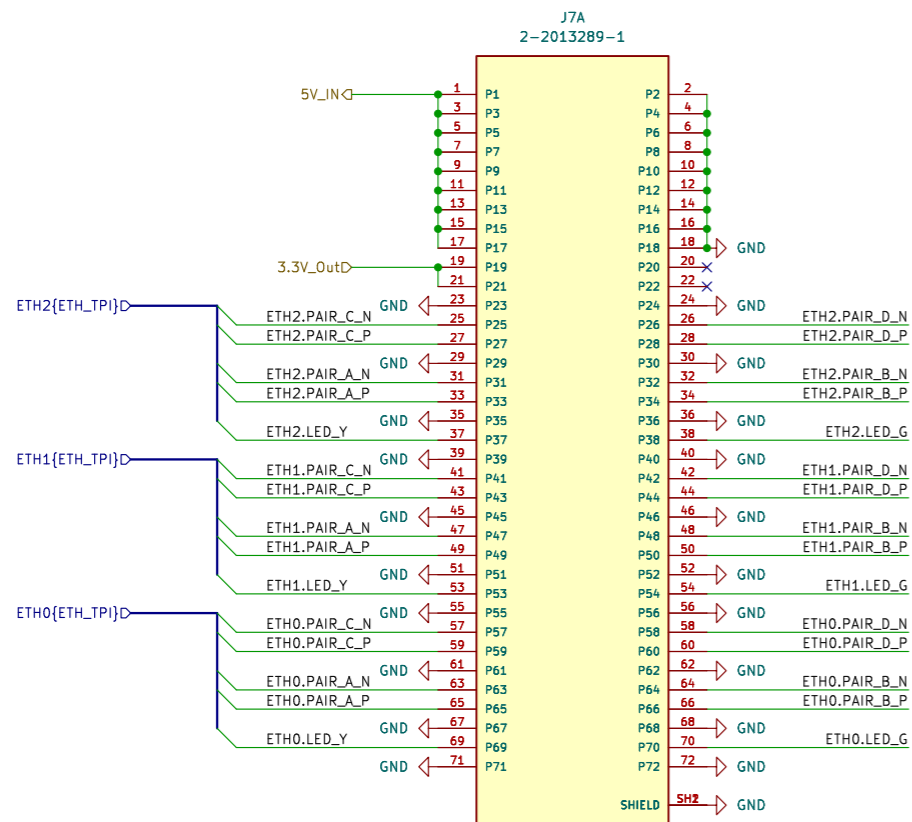


CC BY-NC-ND 4.0  
**x-tech UG (haftungsbeschränkt)**  
 Sheet: /OnBoardFeatures/  
 File: OnBoardFeatures.kicad\_sch

<b>Title: xCore</b>		
Size: A3	Date: 2024-09-24	Rev: v1.1.13
KiCad E.D.A. 8.0.2		Id: 4/8

GPIO[0..23]D



CC BY-NC-ND 4.0  
**x-tech UG (haftungsbeschränkt)**  
 Sheet: /Connectors/  
 File: Connectors.kicad\_sch

**Title: xCore**  
 Size: A3 Date: 2024-09-24 Rev: v1.1.13  
 KiCad E.D.A. 8.0.2 Id: 6/8